

## BOX-DESIGN FRAMES

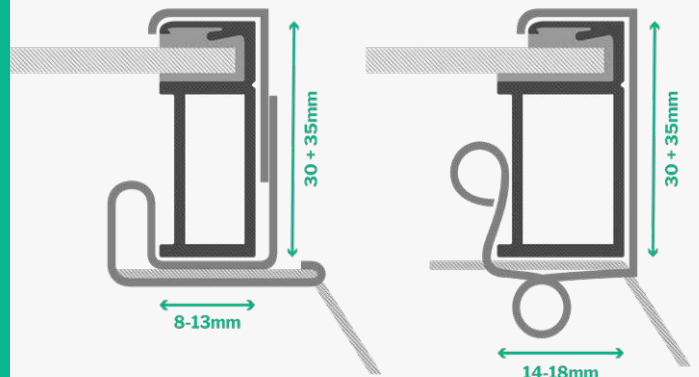


In recent years we see a rise with some solarpanel manufacturers in the use of non-conventional panel-frames. The use of panel-frames with a flange was the (almost) exclusive standard in leading manufacturers up until 2021. The use of a boxed profile for the short-sides has become more widespread since. Where the long sides of the panels remain compatible with our standard clip, we developed the BB-Boxclip to stay compatible with the short sides.

This spread of different sizes in framing has resulted in an unwelcome number of BB-Boxclip varieties. A single clip with wider applicability proved necessary for this purpose. With 30mm and 35mm as standardized height, the new BB-Boxclip-50s will be compatible with the majority of panels.

### NOTES

- BirdBlocker is dedicated to offer full compatibility with all leading solar panel systems.
- The new and improved BB-BoxClip-50s comes in two heights: 30mm and 35mm. Each height is available in two widths covering 8mm – 13mm or 14mm – 18mm. The datasheet shows which dimensions the frame on your specific panel requires.
- For the best result, the quickest installation and a set of proven tools, ask for our starter kit.

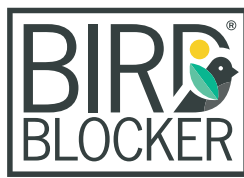


### PRODUCT SPECIFICATIONS

- The specification vary for each BB-BoxClip-50s variety.
- Product-IDs:
  - BB-BoxClip-50s 11x30x14-18 EAN: 8785253122267
  - BB-BoxClip-50s 11x35x14-18 EAN: 8785253122274
  - BB-BoxClip-50s 11x30x8-13 EAN: 8785253122281
  - BB-BoxClip-50s 11x35x8-13 EAN: 8785253122298
- Material: Stainless Steel
- Thickness: 1,75 mm
- Wholesale quantity: 100 packages per box
- Retail quantity: 50 units per package
- HS Code: 7326909890



Scan the QR code for the installation manual



## BIRDBLOCKER NOW COMES PRE-CLIPPED!



“Time is money!” is a true saying, especially in the solar business. BirdBlocker is a fast system, compatible with almost every solar panel that leading manufacturers produce today. BirdBlocker clips are made from high-quality stainless steel and grip securely to the bottom ridge of solar panel frames. Originating from the installation business ourselves, with more than 20 years of experience, we understand the importance of a reliable and quick system that is easy to mount and really holds up for your clients. Not only are our products designed with that in mind, but we listen to our users to improve the system as a whole.

With installation crews working long days in often harsh conditions, mounting small clips on the BirdBlocker strip is not necessarily the favourite field activity – especially with cold hands.

To increase the installation speed of BirdBlocker for your installation crews, we offer the option to order BirdBlocker pre-clipped. Our assembly line pre-mounts 4 clips on every strip, so your crew doesn't have to. This saves time, money, and makes your crew appreciate working with BirdBlocker even more.

With this option, the BirdBlocker installation really is a matter of just clicking the strips to the solar panel frames, a few cuts for corners & subframe and a quick round of tie-wraps to create a full barrier. Do you want to know more about this? Ask your BirdBlocker outlet for the BB125-30c or BB200-30c.

### STARTER KIT

Don't forget to include the BirdBlocker Starter kit with your next order to equip your crew for the quickest BirdBlocker installation. Scan the QR code for more information!

